



Residential Gas Heating Suggested Retail Price List Effective March 1, 2016

Price List Includes:

Vent-Free Heaters, HearthRite Vent-Free Heaters, Ultra-Saver90Plus High-Efficient Heater, Direct-Vent Wall Furnaces, Counterflow Wall Furnaces, Gravity Wall Furnaces, Room Heaters and Floor Furnaces.



Zone Heating Systems

Empire Vent-Free Heaters

SR (Radiant)	4
BF (Blue Flame)	5

HearthRite Vent-Free Heaters

HR (Radiant)	6
HB (Blue Flame)	7

Ultra-Saver 90 Plus High-Efficient Heater

US90Plus Heater	9
-----------------	---

Direct-Vent Wall Furnaces

DV20E/DV40E/DV55E	10
DV210/DV215	11
DV25/DV35	11

Counterflow Wall Furnace (DV & B-Vent)

DVC35SPP/DVC35IP	13
DV55SPP/DV55IP	13

FAW40SPP/FAW40IP	14
FAW55SPP/FAW55IP	14

Gravity Wall Furnace (B-Vent)

New White Gravity Wall – GWT25W/GWT35W/GWT50W	15
Beige Gravity Wall – GWT25/GWT35/GWT50 (While Supplies Last)	16

Room Heater (B-Vent)

RH25	17
RH35	17
RH50B/RH65B	17
RH50C/RH65C	17
RH50CB/RH65CB	17

Floor Furnaces (B-Vent)

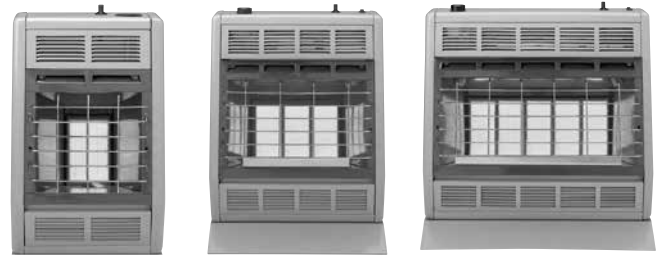
3588/5088/7088	18
----------------	----

Shipping weights shown are approximate.



Vent-Free Infrared Heaters

- Specify Type Of Gas
- Pallet Quantity: 30 (same part number & same gas)
- Does not require electricity; operates in a power outage
- Made in U.S.A.



Infrared Heater	Btu	Wt.	Propane	Natural	Price
Manual 1-Heat Setting, Standing Pilot, Piezo	6,000	18	SR6LP	SR6NAT	\$335.00
Manual 1-Heat Setting, Standing Pilot, Piezo	10,000	18	SR10LP	SR10NAT	\$335.00
Hydraulic T-Stat, Standing Pilot, Piezo	10,000	18	SR10TLP	SR10TNAT	\$426.00
Manual 3-Heat Setting, Standing Pilot, Piezo	18,000	27	SR18LP	SR18NAT	\$408.00
Hydraulic T-Stat, Standing Pilot, Piezo	18,000	27	SR18TLP	SR18TNAT	\$537.00
Manual 3-Heat Setting, Standing Pilot, Piezo	30,000	35	SR30LP	SR30NAT	\$554.00
Hydraulic T-Stat, Standing Pilot, Piezo	30,000	36	SR30TLP	SR30TNAT	\$692.00
Accessories		Wt.		Model	Price
Manual Blower for SR18		4		SRB18	\$122.00
Automatic Blower for SR18T		4		SRB18T	\$127.00
Manual Blower for SR30		4		SRB30	\$123.00
Automatic Blower for SR30T		4		SRB30T	\$127.00
Stand for floor installation SR6,SR10,SR10T		3		SRS10	\$62.00
Stand for floor installation SR18, SR18T		3		SRS18	\$62.00
Stand for floor installation SR30, SR30T		3		SRS30	\$62.00

Vent-Free Blue Flame Heaters

- Specify Type Of Gas
- Pallet Quantity: 30 (same part number & same gas)
- Does not require electricity; operates in a power outage
- Made in U.S.A.



Blue Flame Heater	Btu	Wt.	Propane	Natural	Price
Hydraulic T-Stat, Standing Pilot, Piezo	10,000	29	BF10LP	BF10NAT	\$442.00
Mod. Hydraulic T-Stat, Standing Pilot, Piezo	20,000	29	BF20LP	BF20NAT	\$471.00
Mod. Hydraulic T-Stat, Standing Pilot, Piezo	30,000	38	BF30LP	BF30NAT	\$558.00
Accessories		Wt.		Model	Price
Automatic Blower for BF10, BF20		4		SRB18T	\$127.00
Automatic Blower for BF30		4		SRB30T	\$127.00
Stand for floor installation BF10, BF20		3		SRS18	\$62.00
Stand for floor installation BF30		3		SRS30	\$62.00

HearthRite Vent-Free Infrared Heaters

- Specify Type of Gas
- Pallet Quantity for HR06/HR10: 36 (same part number & same gas)
- Pallet Quantity for HR15/HR18: 30 (same part number & same gas)
- Pallet Quantity for HR25/HR30: 24 (same part number & same gas)
- Does not require electricity; operates in a power outage
- Imported



Infrared Heater	Btu	Wt.	Propane	Natural	Price
Manual 1-Heat Setting, Standing Pilot, Piezo	6,000	15	HR06ML	HR06MN	\$209.00
Manual 1-Heat Setting, Standing Pilot, Piezo	10,000	16	HR10ML	HR10MN	\$222.00
T-Stat, Standing Pilot, Piezo	10,000	17	HR10TL	HR10TN	\$293.00
Manual 3-Heat Setting, Standing Pilot, Piezo	15,000	25	HR15ML		\$268.00
T-Stat, Standing Pilot, Piezo	15,000	27	HR15TL		\$356.00
Manual 3-Heat Setting, Standing Pilot, Piezo	18,000	25		HR18MN	\$268.00
T-Stat, Standing Pilot, Piezo	18,000	27		HR18TN	\$356.00
Manual 3-Heat Setting, Standing Pilot, Piezo	25,000	34	HR25ML		\$323.00
T-Stat, Standing Pilot, Piezo	25,000	33	HR25TL		\$434.00
Manual 3-Heat Setting, Standing Pilot, Piezo	30,000	33		HR30MN	\$323.00
T-Stat, Standing Pilot, Piezo	30,000	35		HR30TN	\$434.00
Accessories					
		Wt.		Model	Price
Blower Fits 15,000 to 30,000 Btu		5		HAB01	\$71.00
Stand Fits 15,000 to 30,000 Btu, 2011 or newer		3		HAS03	\$35.00
Stand Fits 6,000 to 10,000, 2011 or newer		3		HAS04	\$35.00

HearthRite Vent-Free Blue Flame Heaters

- Specify Type of Gas
- Pallet Quantity for HB06/HB10: 36 (same part number & same gas)
- Pallet Quantity for HB20: 30 (same part number & same gas)
- Pallet Quantity for HB30: 24 (same part number & same gas)
- Does not require electricity; operates in a power outage
- Imported



Blue Flame Heater	Btu	Wt.	Propane	Natural	Price
Manual, Standing Pilot, Piezo	6,000	15	HB06ML	HB06MN	\$192.00
Manual, Standing Pilot, Piezo	10,000	16	HB10ML	HB10MN	\$214.00
T-Stat, Standing Pilot, Piezo	10,000	17	HB10TL	HB10TN	\$246.00
Manual, Standing Pilot, Piezo	20,000	25	HB20ML	HB20MN	\$294.00
T-Stat, Standing Pilot, Piezo	20,000	26	HB20TL	HB20TN	\$356.00
Manual, Standing Pilot, Piezo	30,000	33	HB30ML	HB30MN	\$340.00
T-Stat, Standing Pilot, Piezo	30,000	33	HB30TL	HB30TN	\$434.00
Accessories					
		Wt.		Model	Price
Blower Fits 20,000 to 30,000 Btu		5		HAB01	\$71.00
Stand Fits 15,000 to 30,000 Btu, 2011 or newer		3		HAS03	\$35.00
Stand Fits 6,000 to 10,000, 2011 or newer		3		HAS04	\$35.00



- Specify Type Of Gas
- Works with most programmable T-Stats
- Made in U.S.A.

Requires:

- Vents with low-cost, 2-in PVC or PolyPro venting

Note: US90 Products may have a different multiplier than other Empire heaters. Contact your Distributor.

High-Efficient Wall Furnace – 17,500 Btu with Blower (Min. 8,750)	Btu	Wt.	Propane	Natural	Price
UltraSaver90-Plus Wall Furnace	17,500	119	PVS18P	PVS18N	\$2,280.00
High-Efficient Wall Furnace – 35,000 Btu with Blower (Min. 17,500)	Btu	Wt.	Propane	Natural	Price
UltraSaver90-Plus Wall Furnace	35,000	129	PVS35P	PVS35N	\$2,718.00
Accessories		Wt.		Model	Price
Condensate Tube Extension, 10 ft.		1		PVSCT10	\$20.75
External Condensate Pump Kit		7.5		PVSEP1	\$306.00
Humidification Tray, Heated (pre-2015)		7		PVSHT1	\$230.00
Humidification Tray, Heated (2015 and newer)		7		PVSHT2	\$230.00
Control Options		Wt.		Model	Price
Battery Remote, Programmable T-Stat, Backlit		1		FRBTPL	\$188.00
Temperature Sensor Relocation Kit		1		PVSRT1	\$31.00
Wall T-Stat		1		TDV1	\$84.00
Installation Kits		Wt.		Model	Price
Deep Rear Shroud - Allow venting to be run in front of the wall on floor installation only. Adds 3 3/8-inch in depth.		19		PVSDS1	\$178.00
Wall Mount Shroud - Allow installation of heater off of the floor.		17		PVSW1	\$128.00
Venting		Wt.		Model	Price
Air Pipe Kit (For Direct-Vent Installation)		1.5		PVSA1	\$51.00
Vent Adaptor DV35 to PVS(18/35), Includes Transition Plate (Single -Vent Installation Only)		1		PVSDV35A	\$20.75
Conversion Kits		Wt.		Model	Price
Natural to LP		1		32276	\$6.25
LP to Natural		1		32277	\$6.25

High-Efficient Direct-Vent Wall Furnaces

- Specify Type Of Gas
- Pallet Quantity: 6 (same part number & same gas)
- Intake Exhaust Extension Kits DVE1 54-inch with 2 elbows for DV20E and DV40E
- Intake Exhaust Extension Kits DVE2 54-inch kit for extended vent runs DV20E and DV40E
- DVT2 Extended Vent Terminal for walls up to 32-inch thick.
- Made in U.S.A.

Includes:

- Standard vent terminal for wall up to 10-in thick



High-Efficient Wall Furnace	Btu	Wt.	Propane	Natural	Price
Thermistor, Electronic Hot Surface, Electronic	20,000	126	DV20ELP	DV20ENAT	\$2,219.00
Thermistor, Electronic Hot Surface, Electronic	40,000	135	DV40ELP	DV40ENAT	\$2,755.00
Thermistor, Electronic, Hot Surface, Electronic	55,000	142	DV55ELP	DV55ENAT	\$3,212.00
Accessories					
		Wt.		Model	Price
Intake Exhaust Ext. Kit for DV20E, DV40E		5		DVE1	\$393.00
Intake Exhaust Ext. Kit for DV20E, DV40E		5		DVE2	\$265.00
Extended Vent Terminal for all models		11		DVT2	\$293.00
Floor Pad		10		DVP1	\$63.00
Wall T-Stat, 24Volt (formerly R6389)		1		T24V	\$23.50
Wireless Remote Wall T-Stat		2		TRW	\$167.00
Wall T-Stat		1		TDV1	\$84.00

Direct-Vent Wall Furnaces

- Specify Type of Gas
- Pallet Quantity: 30 (same part number & same gas)
- Does not require electricity; operates in a power outage
- Made in U.S.A.



Wall Furnace	Btu	Wt.	Propane	Natural	Price
Millivolt, Standing Pilot, Piezo	10,000	40	DV210SGLP	DV210SGNAT	\$868.00
Millivolt, Standing Pilot, Piezo	15,000	51	DV215SGLP	DV215SGNAT	\$972.00
Accessories		Wt.		Model	Price
Automatic Blower		5		DVB1	\$220.00
Slim Line Vinyl Kit includes outside wall plate		2.5		VSK1	\$39.00
Vinyl Siding Vent Kit		5		DV822	\$75.00
Wall T-Stat, Millivolt - Reed Switch		2		TMV	\$28.05
Wireless Remote Wall T-Stat		2		TRW	\$167.00
Wall T-Stat		1		TDV1	\$84.00
Conversion Kits for DV210					
Natural to LP		1		17080	\$66.00
LP to Natural		1		17081	\$64.00
Conversion Kits for DV215					
Natural to LP		1		17082	\$66.00
LP to Natural		1		17083	\$64.00

Direct-Vent Wall Furnaces

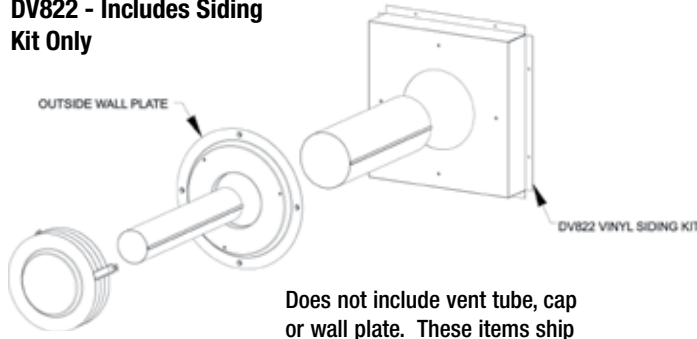
- Specify Type of Gas
- Pallet Quantity: 7 (same part number & same gas)
- Does not require electricity; operates in a power outage
- Made in U.S.A.



Wall Furnace	Btu	Wt.	Propane	Natural	Price
Millivolt, Standing Pilot, Piezo	25,000	93	DV25SGLP	DV25SGNAT	\$1,229.00
Millivolt, Standing Pilot, Piezo	35,000	96	DV35SGLP	DV35SGNAT	\$1,332.00
Accessories		Wt.		Model	Price
Automatic Blower		8		DRB1	\$225.00
Slim Line Vinyl Kit includes outside wall plate		4		VSK2	\$42.00
Vinyl Siding Vent Kit		5		DV822	\$75.00
Wall T-Stat, Millivolt - Reed Switch		2		TMV	\$28.05
Wireless Remote Wall T-Stat		2		TRW	\$167.00
Wall T-Stat		1		TDV1	\$84.00
Conversion Kits for DV25					
Natural to LP		1		17084	\$60.00
LP to Natural		1		17085	\$61.00
Conversion Kits for DV35					
Natural to LP		1		17086	\$60.00
LP to Natural		1		17087	\$61.00

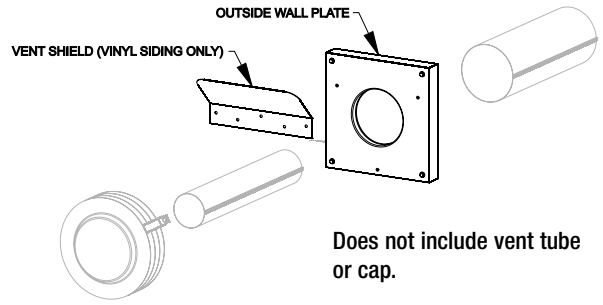
Vinyl Siding Kits

DV822 - Includes Siding Kit Only



Does not include vent tube, cap or wall plate. These items ship with unit.

VSK1 and VSK2 - Includes Outside Wall Plate with Vent Shield



Does not include vent tube or cap.

Vinyl Siding Kits		Wt.		Model	Price
Slim Line, DV210, DV215		2.5		VSK1	\$39.00
Slim Line, DV25, DV35, DVC35, DV55		4		VSK2	\$42.00
Vinyl Siding Vent Kit		5		DV822	\$75.00

Vent Extension Kits (Order through Parts Department)

DV210/DV215		Wt.		Model	Price
Flue Outlet Vent Tube Extension wall 13-19 in		2		TH345	\$23.50
Air Inlet Vent Tube Extension wall 13-19 in.		2		TH346	\$31.00
DV25, DV35, DVC35, DV55		Wt.		Model	Price
Flue Outlet Vent Tube Extension wall 13-19 in		1		DV844	\$28.75
Air Inlet Vent Tube Extension wall 13-19 in.		1		DV845	\$36.00

Direct-Vent Counterflow Wall Furnaces

- Specify Type of Gas
- Pallet Quantity for DVC35: 18 (same part number & same gas)
- Pallet Quantity for DV55: 6 (same part number & same gas)
- Made in U.S.A.

Includes:

- DV35SP and DVC35IP include DV1273 Vent Kit
- DV55SP and SV55IP include DV600 Vent Kit (Ships in two cartons)



Counterflow Wall Furnace	Btu	Wt.	Propane	Natural	Price
24V, Standing Pilot, Piezo with DV1273	35,000	107	DVC35SPPLP	DVC35SPPNAT	\$1,739.00
24V, Intermittent Pilot, Electronic with DV1273	35,000	107	DVC35IPLP	DVC35IPNAT	\$2,073.00
24V, Standing Pilot, Piezo with DV600	55,000	123	DV55SPPLP	DV55SPPNAT	\$1,948.00
24V, Intermittent Pilot, Electronic with DV600	55,000	123	DV55IPLP	DV55IPNAT	\$2,332.00
Accessories		Wt.		Model	Price
Side Outlet Register		2		SOR1	\$107.00
10" Side Outlet Kit		7		SOK1	\$128.00
Slim Line Vinyl Siding Kit		4		VSK2	\$42.00
Vinyl Siding Vent Kit		5		DV822	\$75.00
Wireless Remote Wall T-Stat		2		TRW	\$167.00
Wall T-Stat, 24Volt		1		T24V	\$23.50
Wall T-Stat		1		TDV1	\$84.00
Conversion Kits for DVC35SPP					
Natural to LP		1		DV1344	\$161.00
LP to Natural		1		DV1346	\$161.00
Conversion Kits for DVC35IP					
Natural to LP		1		DV1348	\$326.00
LP to Natural		1		DV1350	\$399.00
Conversion Kits for DV55SPP					
Natural to LP		1		682269	\$162.00
LP to Natural		1		682161	\$206.00
Conversion Kit for DV55IP					
Natural to LP		1		682269	\$162.00
LP to Natural		1		682160	\$206.00

Conventional B-Vent Counterflow Wall Furnaces



- Specify Type of Gas
- Pallet Quantity 18 (same part number & same gas)
- Made in U.S.A.

Counterflow Wall Furnace	Btu	Wt.	Propane	Natural	Price
24V, Standing Pilot, Piezo	40,000	110	FAW40SPPLP	FAW40SPPNAT	\$1,483.00
24V, Intermittent Pilot, Electronic	40,000	110	FAW40IPLP	FAW40IPNAT	\$1,816.00
24V, Standing Pilot, Piezo, Vent Kit Included	55,000	135	FAW55SPPLP	FAW55SPPNAT	\$1,723.00
24V, Intermittent Pilot, Electronic	55,000	135	FAW55IPLP	FAW55IPNAT	\$2,110.00
Accessories		Wt.		Model	Price
Side Outlet Register		2		SOR1	\$107.00
10" Side Outlet Kit		7		SOK1	\$128.00
10" Rear Outlet Kit		9		ROK1	\$179.00
Vent Enclosure 24-inch for FAW40		7		FVE24	\$100.00
Vent Enclosure 34-inch for FAW40		10		FVE34	\$108.00
Vent Enclosure 46-inch for FAW40		14		FVE46	\$123.00
Vent Enclosure 14-inch for FAW55		6		DV651	\$106.00
Vent Enclosure 24-inch for FAW55		9		DV665	\$116.00
Vent Enclosure 36-inch for FAW55		14		DV666	\$117.00
Oval-to-Round Flue Adaptor Kit		2		DV648	\$64.00
Wireless Remote Wall T-Stat		2		TRW	\$167.00
Wall T-Stat, 24Volt		1		T24V	\$23.50
Wall T-Stat		1		TDV1	\$84.00
Conversion Kits for FAW40SPP					
Natural to LP		1		DV1345	\$159.00
LP to Natural		1		DV1347	\$159.00
Conversion Kits for FAW40IP					
Natural to LP		1		DV1349	\$326.00
LP to Natural		1		DV1351	\$399.00
Conversion Kits for FAW55SPP					
Natural to LP		1		682270	\$166.00
LP to Natural		1		682161	\$206.00
Conversion Kits for FAW55IP					
Natural to LP		1		682269	\$162.00
LP to Natural		1		682160	\$206.00

B-Vent Wall Furnaces

New - White

- Specify Type Of Gas
- Pallet Quantity for GWT25W/GWT35W: 21 (same gas)
- Pallet Quantity for GWT50W: 12 (same gas)
- Does not require electricity; operates in a power outage
- Made in U.S.A.



New - White Gravity Wall Furnace	Btu	Wt.	Propane	Natural	Price
Millivolt, Standing Pilot	25,000	75	GWT25WLP	GWT25WNAT	\$834.00
Millivolt, Standing Pilot	35,000	81	GWT35WLP	GWT35WNAT	\$899.00
Millivolt, Standing Pilot	50,000	131	GWT50WLP	GWT50WNAT	\$1,255.00
Accessories					
		Wt.		Model	Price
Remote Bulb T-Stat, Mill., GWT25/35/50W		1		GWRBT	\$113.00
Automatic Blower GWT25/35/50W		8		GWTB2W	\$321.00
Header for GWT25W, GWT35W (included with unit)		2		GWTH2535W	\$47.00
Header for GWT50W (included with unit)		4		GWTH50W	\$50.00
Rear Register Kit for GWT25W, GWT35W		5		GWTR1W	\$150.00
Out-of-Wall Installation Kit for GWT25W, GWT35W		23		GWTW2W	\$333.00
Control Options					
		Wt.		Model	Price
Wall T-Stat, Millivolt, Reed Switch		2		TMV	\$28.05
Wireless Remote Wall T-Stat		2		TRW	\$167.00
Wall T-Stat		1		TDV1	\$84.00
Battery Remote. On/Off		1		FRBC	\$139.00
Battery Remote, T-Stat		1		FRBTC	\$242.00
Remote, Electric		1		FREC	\$109.00
Remote, Programmable		1		FRBTP	\$271.00
Wall Switch, On/Off		1		FWS1	\$20.00
Conversion Kits for GWT25W					
		Wt.		Model	Price
Natural to LP		1		17088	\$64.00
LP to Natural		1		17089	\$66.00
Conversion Kits for GWT35W					
		Wt.		Model	Price
Natural to LP		1		17090	\$64.00
LP to Natural		1		17091	\$66.00
Conversion Kits for GWT50W					
		Wt.		Model	Price
Natural to LP		1		17092	\$64.00
LP to Natural		1		17093	\$66.00

B-Vent Wall Furnaces

Beige - While Supplies Last



- Specify Type Of Gas
- Pallet Quantity for GWT25/GWT35: 21 (same gas)
- Pallet Quantity for GWT50: 12 (same gas)
- Does not require electricity; operates in a power outage
- Made in U.S.A.

Beige Gravity Wall Furnace - While Supplies Last		Wt.		Model	Price
Millivolt, Standing Pilot	25,000	75	GWT25LP	GWT25NAT	\$834.00
Millivolt, Standing Pilot	35,000	81	GWT35LP	GWT35NAT	\$899.00
Millivolt, Standing Pilot	50,000	131	GWT50LP	GWT50NAT	\$1,255.00
Accessories for Beige Gravity Wall Furnace - While Supplies Last					
		Wt.		Model	Price
Remote Bulb T-Stat, Mill, GWT25/35/50		1		GWRBT	\$113.00
Automatic Blower GWT25/35/50		8		GWTB2	\$321.00
Header for GWT25, GWT35 (included with unit)		2		GWTH2535	\$47.00
Header for GWT50 (included with unit)		4		GWTH50	\$50.00
Rear Register Kit for GWT25, GWT35		5		GWTR1	\$150.00
Out-of-Wall Installation Kit for GWT25, GWT35		23		GWTW2	\$333.00
Control Options					
		Wt.		Model	Price
Wall T-Stat, Millivolt, Reed Switch		2		TMV	\$28.05
Wireless Remote Wall T-Stat		2		TRW	\$167.00
Wall T-Stat		1		TDV1	\$84.00
Battery Remote, On/Off		1		FRBC	\$139.00
Battery Remote, T-Stat		1		FRBTC	\$242.00
Remote, Electric		1		FREC	\$109.00
Remote, Programmable		1		FRBTP	\$271.00
Wall Switch, On/Off		1		FWS1	\$20.00
Conversion Kits for GWT25					
		Wt.		Model	Price
Natural to LP		1		17088	\$64.00
LP to Natural		1		17089	\$66.00
Conversion Kits for GWT35					
		Wt.		Model	Price
Natural to LP		1		17090	\$64.00
LP to Natural		1		17091	\$66.00
Conversion Kits for GWT50					
		Wt.		Model	Price
Natural to LP		1		17092	\$64.00
LP to Natural		1		17093	\$66.00

Room Heaters B-Vent

- Specify Type Of Gas
- Pallet Quantity: 6 (same part number & same gas)
- Does not require electricity; operates in a power outage
- Made in U.S.A.



Room Heaters	Btu	Wt.	Propane	Natural	Price
Hydraulic T-Stat, Standing Pilot, Piezo	25,000	84	RH25LP	RH25NAT	\$999.00
Hydraulic T-Stat, Standing Pilot, Piezo	35,000	88	RH35LP	RH35NAT	\$1,095.00
Accessories		Wt.		Model	Price
Automatic Blower		8		DRB1	\$225.00
Floor Pad 36 x 14-inch		10		DVP1	\$63.00
Conversion Kits for RH25					
Natural to LP		1		RH913	\$181.00
LP to Natural		1		RH911	\$179.00
Conversion Kits for RH35					
Natural to LP		1		RH914	\$181.00
LP to Natural		1		RH912	\$179.00

Visual Flame Room Heaters B-Vent with Blowers

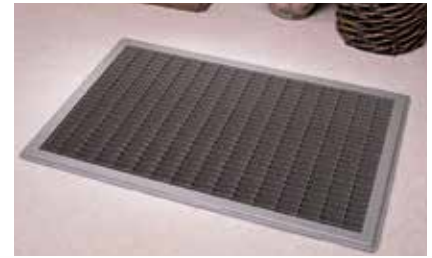
- Specify Type Of Gas
- Pallet Quantity: 6 (same part number & same gas)
- Does not require electricity; operates in a power outage
- Made in U.S.A.



Visual Flame Room Heaters with Blowers	Btu	Wt.	Propane	Natural	Price
Hydraulic T-Stat, Standing Pilot, Piezo	50,000	124	RH50BLP	RH50BNAT	\$1,649.00
Hydraulic T-Stat, Standing Pilot, Piezo	65,000	142	RH65BLP	RH65BNAT	\$1,801.00
Closed Front Room Heaters	Btu	Wt.	Propane	Natural	
Hydraulic T-Stat, Standing Pilot, Piezo	50,000	124	RH50CLP	RH50CNAT	\$1,119.00
Hydraulic T-Stat, Standing Pilot, Piezo	65,000	142	RH65CLP	RH65CNAT	\$1,291.00
Closed Front Room Heaters with Blowers	Btu	Wt.	Propane	Natural	
Hydraulic T-Stat, Standing Pilot, Piezo	50,000	124	RH50CBLP	RH50CBNAT	\$1,330.00
Hydraulic T-Stat, Standing Pilot, Piezo	65,000	142	RH65CBLP	RH65CBNAT	\$1,502.00
Accessories		Wt.		Model	Price
Automatic Blower, optional on RH50C,RH65C		10		FRB3	\$200.00
Radiants/Supports, optional on RH50B, RH65B		12		RAD8	\$191.00
Log Kit, optional on RH50B, RH65B		5		RHL2	\$81.00
Floor Pad 36 x 21-inch		10		RH425	\$92.00
Conversion Kits for RH50		Wt.		Model	Price
Natural to LP		1		RH909	\$181.00
LP to Natural		1		RH907	\$179.00
Conversion Kits for RH65		Wt.		Model	Price
Natural to LP		1		RH910	\$181.00
LP to Natural		1		RH908	\$179.00

Floor Furnaces B-Vent

- Specify Type Of Gas
- Pallet Quantity: 6 (same part number & same gas)
- Does not require electricity; operates in a power outage
- Made in U.S.A.



Included:

- Model 3588: Diverter Kit (3588DIV) included, ships in separate carton
- Model 5088: Diverter Kit (5088DIV) included, ships in separate carton
- Model 7088: Diverter Kit (7088DIV) included, ships in separate carton

Floor Furnace	Btu	Wt.	Propane	Natural	Price
Millivolt, Standing Pilot, Piezo	32,500	103	3588LP	3588NAT	\$1,705.00
Millivolt, Standing Pilot, Piezo	45,000	116	5088LP	5088NAT	\$1,792.00
Millivolt, Standing Pilot, Piezo	65,000	138	7088LP	7088NAT	\$2,097.00
Accessories					
		Wt.		Model	Price
Wireless Remote Wall T-Stat		2		TRW	\$167.00
Wall T-Stat, Millivolt Reed Switch		2		TMV	\$28.05
Wall T-Stat		1		TDV1	\$84.00
Conversion Kits for 3588					
		Wt.		Model	Price
Natural to LP		1		17094	\$64.00
LP to Natural		1		17095	\$66.00
Conversion Kits for 5088					
		Wt.		Model	Price
Natural to LP		1		17096	\$64.00
LP to Natural		1		17097	\$66.00
Conversion Kits for 7088					
		Wt.		Model	Price
Natural to LP		1		17098	\$64.00
LP to Natural		1		17099	\$66.00



SINCE 1932

918 Freeburg Avenue
Belleville, IL 62221
empirecomfort.com
info@empirecomfort.com